



Three Pieces Ball Valves IMF 1000 WOG

Size ¼" – 4" (DN 10 -100) Stainless Steel



Fig. 143IMF FULL BORE

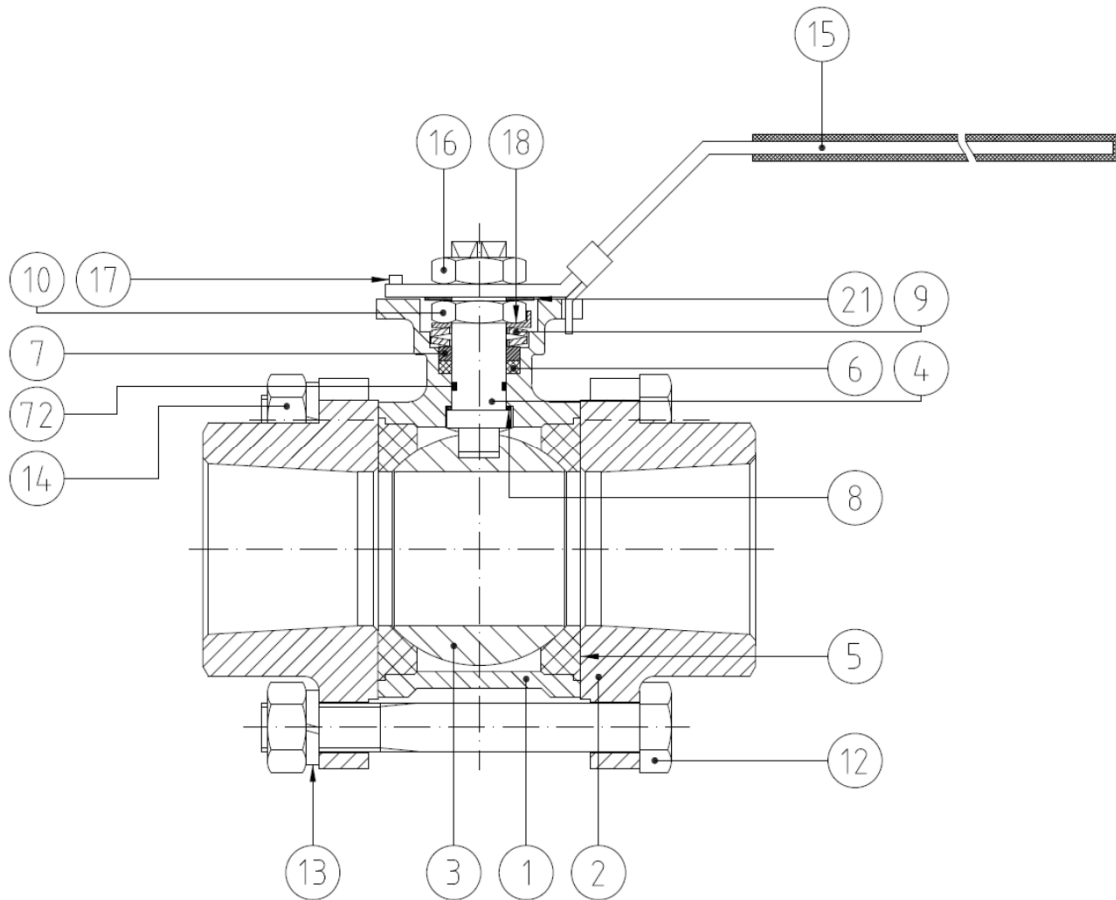
Butt Weld according:
ASME B16.25 & DIN 3239 part 1



Three Pieces Ball Valves IMF

1000 WOG

Parts and materials



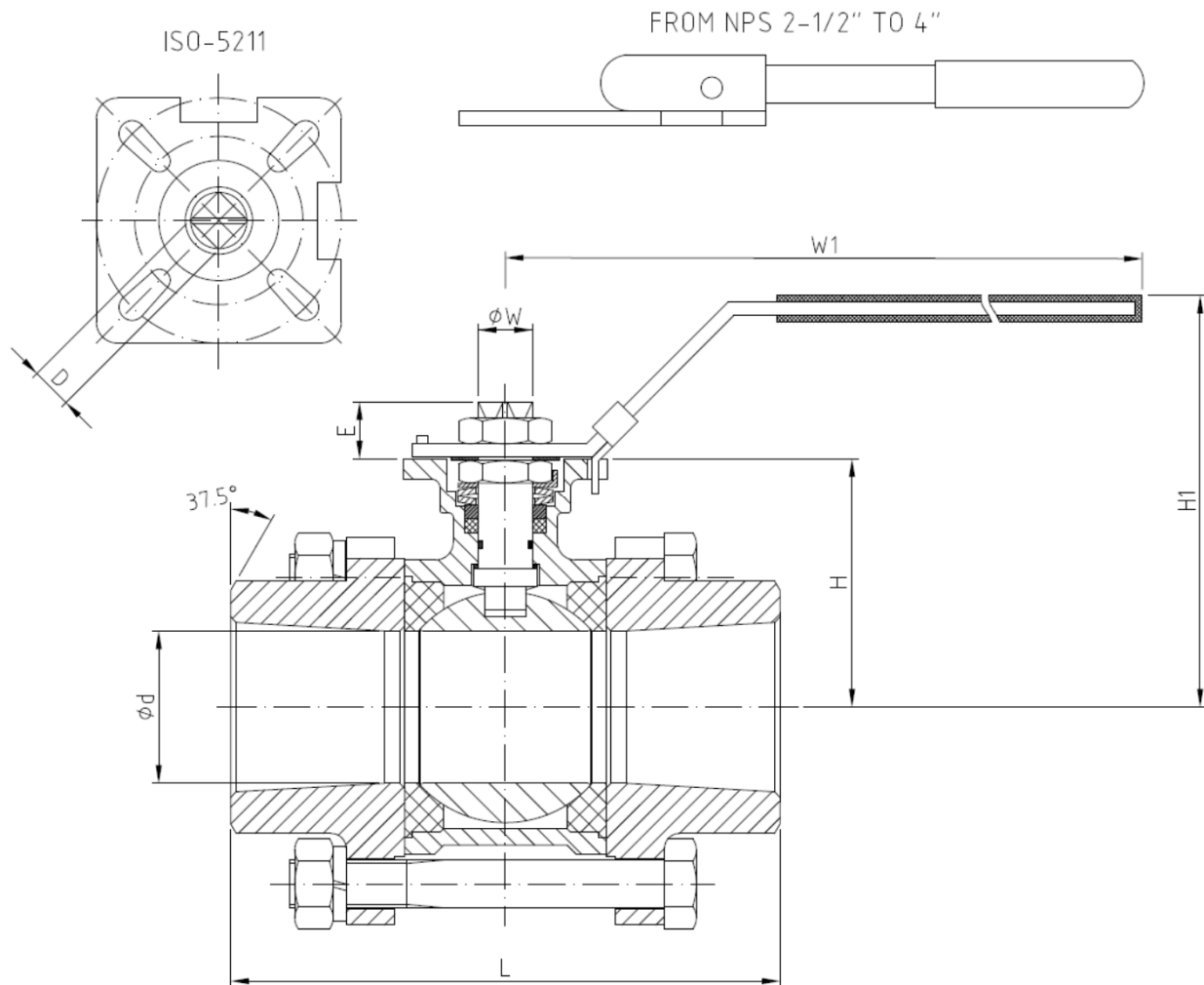
Item	Description	Material
1	Body	AISI 316
2	Body connector	AISI 316
3	Ball	AISI 316
4	Stem	AISI 316
5	Seat ring	PTFE
6	Stem packing	PTFE
7	Ring	AISI 304
8	Seat thrust seal	PTFE
9	Belleville w asher	AISI 304
10	Gland Nut	AISI 304
12	Bolt	AISI 304
13	Washer	AISI 304
14	Nut	AISI 304
15	Handle	AISI 304+PVC
16	Handle nut	AISI 304
17	Stop pin	AISI 304
18	Locking w asher	AISI 304
21	Washer	AISI 304
72	O'ring	FKM



Three Pieces Ball Valves IMF

1000 WOG

Dimensions



Dimensions

SIZE	Ød	L	W1	H1	H	E	D	ISO 5211	WEIGHT
¼" (DN 8)	10,8	60	143	70	38,5	9	9	F04/03	0,59
⅜" (DN 10)	12,5	60	143	70	38,5	9	9	F04/03	0,58
½" (DN 15)	15	70	143	70	38,5	9	9	F04/03	0,57
¾" (DN 20)	20	85	143	79	47,5	9	9	F04/03	0,71
1" (DN 25)	25	95	163	95	59	11	11	F05/04	1,03
1¼" (DN 32)	32	110	163	100	63,5	11	11	F05/04	1,56
1½" (DN 40)	38	120	188	116	79	15	14	F07/05	2,5
2" (DN 50)	50	142	188	124	86,5	15	14	F07/05	3,44
2½" (DN 65)	64	166	350	141	109,1	17	17	F10/07	6,4
3" (DN 80)	76	182	350	149	117	17	17	F10/07	11,2
4" (DN 100)	94	227	350	173	136	22	22	F12/10	22

(*) Dimensions in mm and weight in kg.

Note:

Dimensions not subject to International Standards can vary in $\pm 10\%$. ICP reserves the right to change those dimensions without notice, due to they do not affect integrity and performance of the valves.

ICP VALVES S.A.
E-Mail: sales@ icp-valves.com
Internet: www.icp-valves.com

Authorized Distributor



Three Pieces Ball Valves IMF 1000 WOG

Torque, Kv, P&T Rating, Actreg Actuator

Torque Values in Nm

VALVE SIZE	AT DIFFERENTIAL PRESSURE		
	63 bar	25 bar	
1/4" (DN 8)	4,9	2 1/2" (DN 65)	58,3
3/8" (DN 10)	4,9	3" (DN 80)	86,8
1/2" (DN 15)	4,9	4" (DN 100)	122,6
3/4" (DN 20)	6,5		
1" (DN 25)	13,7		
1 1/4" (DN 32)	21,6		
1 1/2" (DN 40)	29,5		
2" (DN 50)	47		

Kv Values in m³/h

VALVE SIZE	Kv	VALVE SIZE	Kv
1/4" (DN 8)	6,6	1 1/2" (DN 40)	80,0
3/8" (DN 10)	6,6	2" (DN 50)	150,0
1/2" (DN 15)	11,2	2 1/2" (DN 65)	265,0
3/4" (DN 20)	21,0	3" (DN 80)	415,0
1" (DN 25)	34,0	4" (DN 100)	780,0
1 1/4" (DN 32)	57,0		

Pressure-Temperature

P Bar

