



**Three Pieces Ball Valves**  
**1000 WOG**  
**Size 1/4" – 4" (DN 10 -100) Stainless Steel**



**Fig. 143**  
**FULL BORE**

**Butt Weld according:**  
**ASME B16.25 & DIN 3239 part 1**

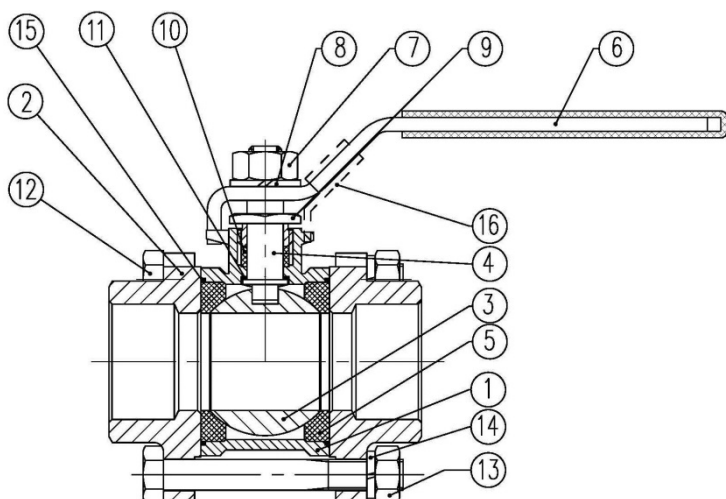
CE



# Three Pieces Ball Valves 1000 WOG

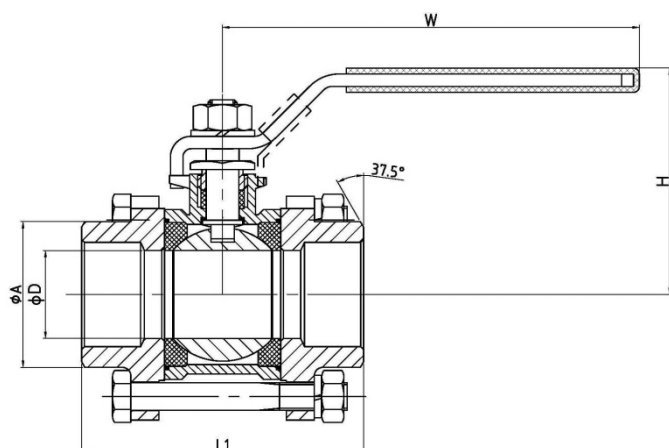
## Parts and materials, Dimensions

### Parts and materials



| Ite | Description    | Material |
|-----|----------------|----------|
| 1   | Body           | AISI 316 |
| 2   | Body connector | AISI 316 |
| 3   | Ball           | AISI 316 |
| 4   | Stem           | AISI 316 |
| 5   | Seat ring      | PTFE     |
| 6   | Wrench         | AISI 304 |
| 7   | Wrench Nut     | AISI 304 |
| 8   | Wrench         | AISI 304 |
| 9   | Gland          | AISI 304 |
| 10  | Gland packing  | PTFE     |
| 11  | Stem thrust    | PTFE     |
| 12  | Bolt           | AISI 304 |
| 13  | Nut            | AISI 304 |
| 14  | Washer         | AISI 304 |
| 15  | Seat Gasket    | PTFE     |
| 16  | Lock Device    | AISI 304 |

### Dimensions



| SIZE           | ØA    | ØD | L1    | W   | H   | WEIGHT |
|----------------|-------|----|-------|-----|-----|--------|
| 1/4" (DN 8)    | 13,7  | 9  | 60,4  | 94  | 46  | 0,31   |
| 3/8" (DN 10)   | 17,1  | 11 | 60,4  | 94  | 46  | 0,35   |
| 1/2" (DN 15)   | 21,3  | 15 | 66,4  | 104 | 50  | 0,41   |
| 3/4" (DN 20)   | 26,7  | 20 | 80,2  | 113 | 60  | 0,7    |
| 1" (DN 25)     | 33,4  | 25 | 84,2  | 128 | 65  | 1,2    |
| 1 1/4" (DN 32) | 42,2  | 32 | 103,6 | 156 | 79  | 2      |
| 1 1/2" (DN 40) | 48,3  | 38 | 111,4 | 156 | 83  | 2,5    |
| 2" (DN 50)     | 60,3  | 50 | 132   | 194 | 99  | 3,7    |
| 2 1/2" (DN 65) | 73    | 64 | 164,2 | 246 | 128 | 7,4    |
| 3" (DN 80)     | 88,9  | 76 | 182   | 246 | 133 | 12,8   |
| 4" (DN 100)    | 114,3 | 94 | 226,8 | 317 | 175 | 23     |

(\* ) Dimensions in mm and weight in kg.

#### Note:

Dimensions not subject to International Standards can vary in  $\pm 10\%$ . ICP reserves the right to change those dimensions without notice, due to they do not affect integrity and performance of the valves.

ICP VALVES S.A.  
E-Mail: sales@ icp-valves.com  
Internet: www.icp-valves.com

Authorized Distributor



# Three Pieces Ball Valves 1000 WOG

Torque, Kv, P&T Rating

## Torque Values in Nm

| VALVE SIZE  | AT DIFFERENTIAL PRESSURE |  | VALVE SIZE  | AT DIFFERENTIAL PRESSURE |  |
|-------------|--------------------------|--|-------------|--------------------------|--|
|             | 63 bar                   |  |             | 25 bar                   |  |
| ¼" (DN 8)   | 5,6                      |  | 2½" (DN 65) | 73,2                     |  |
| ⅜" (DN 10)  | 5,6                      |  | 3" (DN 80)  | 128,8                    |  |
| ½" (DN 15)  | 9                        |  | 4" (DN 100) | 165,4                    |  |
| ¾" (DN 20)  | 11,3                     |  |             |                          |  |
| 1" (DN 25)  | 14,7                     |  |             |                          |  |
| 1¼" (DN 32) | 19,2                     |  |             |                          |  |
| 1½" (DN 40) | 24,9                     |  |             |                          |  |
| 2" (DN 50)  | 45,2                     |  |             |                          |  |

## Kv Values in m<sup>3</sup>/h

| VALVE SIZE  | Kv   | VALVE SIZE  | Kv    |
|-------------|------|-------------|-------|
| ¼" (DN 8)   | 6,6  | 1½" (DN 40) | 80,0  |
| ⅜" (DN 10)  | 6,6  | 2" (DN 50)  | 150,0 |
| ½" (DN 15)  | 11,2 | 2½" (DN 65) | 265,0 |
| ¾" (DN 20)  | 21,0 | 3" (DN 80)  | 415,0 |
| 1" (DN 25)  | 34,0 | 4" (DN 100) | 780,0 |
| 1¼" (DN 32) | 57,0 |             |       |

## Pressure-Temperature

P Bar

