



## PN 10/16/25 - DN 150...1200

KAT-A 1360

## Product characteristics and benefits

- Resilient seated in accordance with EN 593
- Face-to-face length acc. to EN 558, basic series 14 (DIN 3202, F4)
- With flange ends on both sides acc. to EN 1092-2
- Patented hydrodynamic disk
- Double-offset disk bearing mounted in maintenance-free bushing
- Medium free bearing (dry shaft) in body by means of double O-ring sealing and closed disk eyes
- Wear-resistant, corrosion-resistant and undermining-resistant seat
- Possible to replace profile sealing ring without disassembling the disk
- Automatic sealing system with enclosed and pressure-supported profile sealing ring
- Vacuum tight up to 0,2 bar absolute
- Patented wedge pin connection between shaft and disk
- Tight in both flow directions acc. EN 12266, leak rate A
- With self-locking, fully enclosed, maintenance-free worm gear including mechanical position indicator

## Materials

- Body: Ductile iron EN-GJS-400-15 (GGG-40)
- Disk: Ductile iron EN-GJS-400-15 (GGG-40)
- Valve sealing: EPDM
- O-rings: EPDM
- Butterfly valve stem: Stainless steel 1.4021
- Seat: High-alloy weld overlay

## Corrosion protection

- Body: Internally and externally epoxy coated acc. to GSK guidelines
- Disk: Epoxy coated according to GSK guidelines

## Versions

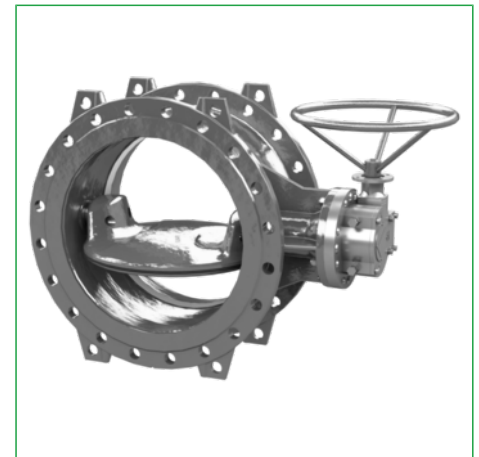
- Standard version as described
- With electric actuator
- With handwheel
- With pneumatic actuator
- With hydraulic actuator
- For buried installations
- Special coatings and special materials on request

## Field of application

- Chamber installation
- Installation in plants

## Tests and approvals

- Final inspection test according to EN 12266-1 (leakage rate A)
- DVGW tested and registered
- Elastomers approved acc. to W270



## Accessories

- T-key
- Installation equipment
- Extension spindle
- Surface box cast iron
- Plastic base plate

## Operation data

- Maximum flow velocity in fully open position:
  - PN 25: 5 m/s
  - PN 16: 4 m/s
  - PN 10: 3 m/s

## Note

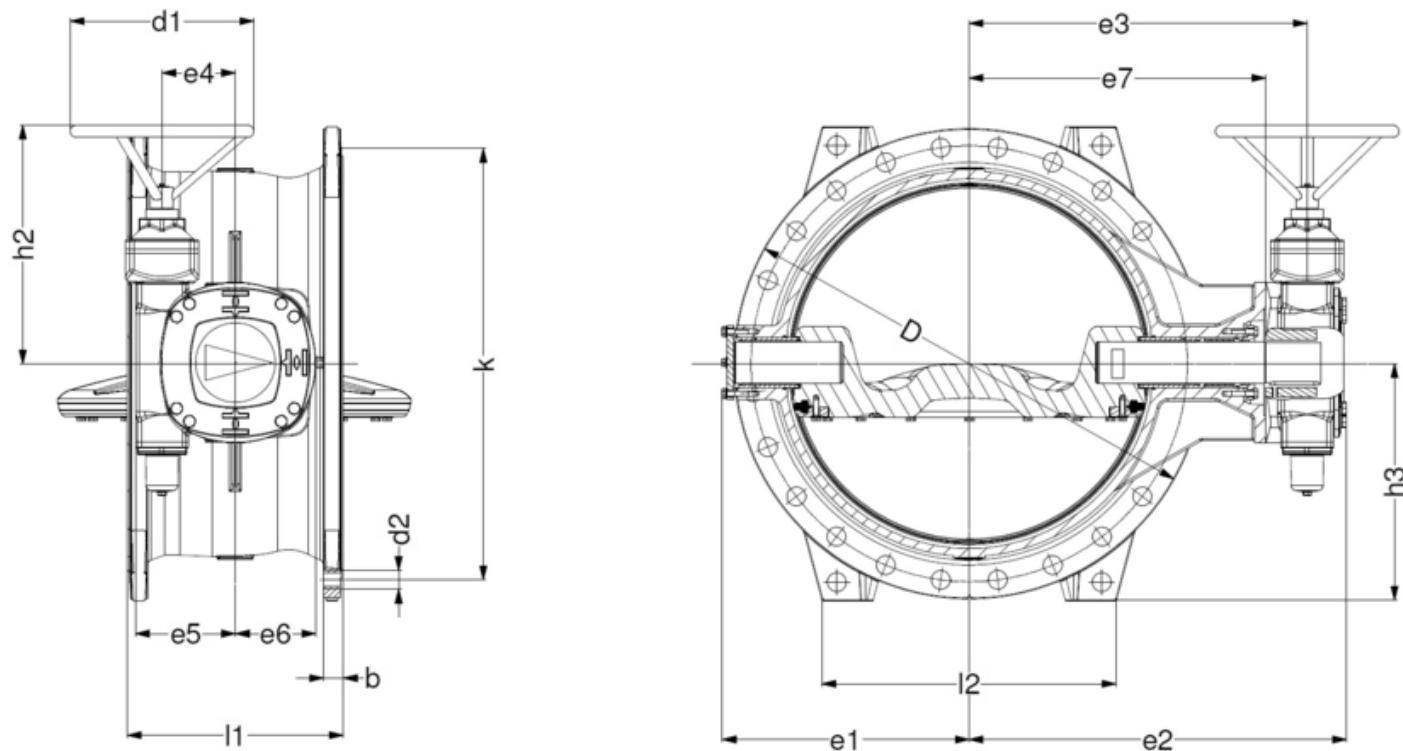
For proper installation and safe operation please follow the installation and operation instructions:  
KAT-B 1310

## Field of application

DN	PN	Maximum operating pressure [bar]	Maximum operating temperature for neutral liquids [°C]
150...1200	25	25	50
150...1200	16	16	50
200...1200	10	10	50



Drawing



Technical data

PN 10

DN		200	250	300	350	400	450	500	600	700	800	900	1000
D	[mm]	340	400	455	505	565	615	670	780	900	1020	1120	1245
b	[mm]	20	22	24.5	24.5	24.5	26.5	26.5	30	32.5	35	37.5	40
k	[mm]	295	350	400	460	515	565	620	725	840	950	1050	1160
d1	[mm]	250	250	250	250	350	400	400	500	500	400	400	400
d2	[mm]	23	23	23	23	28	28	28	31	31	34	34	37
e1	[mm]	169	199	236	261	285	306	345	392	462	512	576	640
e2 max.	[mm]	324	367	417	427	471	523	554	629	748	802	833	915
e3 max.	[mm]	261	304	354	364	408	442	473	541	660	714	750	822
e4 max.	[mm]	76	76	76	76	102	102	102	102	136	136	178	178
e5 max.	[mm]	139	139	139	139	165	254	286	254	320	320	330	362
e6 max.	[mm]	85	85	85	85	109	109	109	115	163	163	188	192
e7	[mm]	216	259	309	319	358	385	416	466	559	613	675	729
h2 max.	[mm]	298	298	298	298	342	500	522	520	586	566	544	573
h3	[mm]	175	205	232	265	288	312	340	395	455	515	565	630
l1	[mm]	230	250	270	290	310	330	350	390	430	470	510	550
l2	[mm]	185	225	260	270	300	250	300	330	400	450	550	600
No. of holes		8	12	12	16	16	20	20	20	24	24	28	28
Weight approx.	[kg]	44.00	60.00	81.00	110.00	135.00	190.00	240.00	320.00	470.00	620.00	800.00	1050.00
Volume approx.	[m <sup>3</sup> ]	0.037	0.055	0.078	0.098	0.131	0.165	0.207	0.309	0.458	0.616	0.803	1.065

Valves with pressure rating of PN 6 are generally manufactured according to EN 1092-2 and drilled to PN 10, PN 6 drilling is available on request.



## Technical data

### PN 10

DN		1100	1200
D	[mm]	1340	1470
b	[mm]	43	45
k	[mm]	1270	1380
d1	[mm]	400	500
d2	[mm]	37	41
e1	[mm]	692	763
e2 max.	[mm]	968	1104
e3 max.	[mm]	880	992
e4 max.	[mm]	210	210
e5 max.	[mm]	477	477
e6 max.	[mm]	225	235
e7	[mm]	783	874
h2 max.	[mm]	710	730
h3	[mm]	680	740
l1	[mm]	590	630
l2	[mm]	650	700
No. of holes		32	32
Weight approx.	[kg]	1390.00	1740.00
Volume ap- prox.	[m <sup>3</sup> ]	1.312	1.729

Valves with pressure rating of PN 6 are generally manufactured according to EN 1092-2 and drilled to PN 10, PN 6 drilling is available on request.

### PN 16

DN		150	200	250	300	350	400	450	500	600	700	800	900
D	[mm]	285	340	400	455	520	580	640	715	840	910	1025	1125
b	[mm]	19	20	22	24.5	26.5	28	31.5	31.5	36	39.5	43	46.5
k	[mm]	240	295	355	410	470	525	585	650	770	840	950	1050
d1	[mm]	250	250	250	250	350	400	400	500	500	500	400	500
d2	[mm]	23	23	28	28	28	31	31	34	37	37	41	41
e1	[mm]	134	169	199	236	261	298	306	357	413	470	537	589
e2 max.	[mm]	293	324	367	417	446	469	523	583	699	736	822	865
e3 max.	[mm]	230	261	304	354	383	406	460	499	611	648	724	777
e4 max.	[mm]	76	76	76	76	102	102	102	136	136	178	178	210
e5 max.	[mm]	139	139	139	139	165	165	254	320	320	330	362	477
e6 max.	[mm]	85	85	85	85	109	109	109	143	163	188	192	225
e7	[mm]	185	216	259	309	333	356	385	424	510	573	631	680
h2 max.	[mm]	298	298	298	298	342	362	500	586	586	564	573	730
h3	[mm]	150	175	205	232	265	295	325	362	425	460	520	570
l1	[mm]	210	230	250	270	290	310	330	350	390	430	470	510
l2	[mm]	150	185	225	260	270	320	250	300	330	400	450	550
No. of holes		8	12	12	12	16	16	20	20	20	24	24	28
Weight approx.	[kg]	30.00	44.00	60.00	85.00	116.00	155.00	237.00	300.00	460.00	670.00	775.00	970.00
Volume ap- prox.	[m <sup>3</sup> ]	0.025	0.037	0.055	0.078	0.106	0.137	0.172	0.235	0.356	0.472	0.655	0.834

Valves with pressure rating of PN 6 are generally manufactured according to EN 1092-2 and drilled to PN 10, PN 6 drilling is available on request.



Technical data

PN 16

DN		1000	1100	1200
D	[mm]	1255	1255	1485
b	[mm]	50	50	57
k	[mm]	1170	1270	1390
d1	[mm]	400	400	500
d2	[mm]	44	44	50
e1	[mm]	665	708	784
e2 max.	[mm]	1005	1076	1154
e3 max.	[mm]	892	957	1014
e4 max.	[mm]	210	250	279
e5 max.	[mm]	477	335	488
e6 max.	[mm]	235	258	298
e7	[mm]	774	827	884
h2 max.	[mm]	710	742	866
h3	[mm]	635	690	750
l1	[mm]	550	590	630
l2	[mm]	600	650	700
No. of holes		28	28	32
Weight approx.	[kg]	1320.00	1850.00	2090.00
Volume approx.	[m <sup>3</sup> ]	1.153	1.153	1.813

Valves with pressure rating of PN 6 are generally manufactured according to EN 1092-2 and drilled to PN 10, PN 6 drilling is available on request.

PN 25

DN		150	200	250	300	350	400	450	500	600	700	800	900
D	[mm]	300	360	425	485	555	620	670	730	845	960	1085	1185
b	[mm]	20	22	24.5	27.5	30	32	34.5	36.5	42	46.5	51	59.5
k	[mm]	250	310	370	430	490	550	600	660	770	875	990	1090
d1	[mm]	250	250	250	350	400	400	400	400	500	500	500	500
d2	[mm]	28	28	31	31	34	37	37	37	41	44	50	50
e1	[mm]	134	169	199	236	261	298	312	377	425	487	570	612
e2 max.	[mm]	293	324	367	425	450	500	555	662	679	763	912	973
e3 max.	[mm]	230	261	304	362	384	419	467	574	591	671	800	839
e4 max.	[mm]	76	76	76	102	80	102	102	136	178	178	210	246
e5 max.	[mm]	139	139	139	165	111	254	254	320	330	362	477	575
e6 max.	[mm]	85	85	85	109	88	109	115	163	188	192	235	260
e7	[mm]	185	216	259	312	327	362	392	473	516	578	682	724
h2 max.	[mm]	298	298	298	342	308	500	500	566	564	593	730	766
h3	[mm]	155	185	218	248	285	315	340	370	428	485	550	600
l1	[mm]	210	230	250	270	290	310	330	350	390	430	470	510
l2	[mm]	160	200	240	255	285	320	250	300	330	400	450	550
No. of holes		8	12	12	16	16	16	20	20	20	24	24	28
Weight approx.	[kg]	32.00	50.00	67.00	103.00	133.00	174.00	280.00	380.00	490.00	780.00	800.00	1250.00
Volume approx.	[m <sup>3</sup> ]	0.026	0.039	0.058	0.086	0.114	0.15	0.192	0.259	0.364	0.516	0.756	0.946

Valves with pressure rating of PN 6 are generally manufactured according to EN 1092-2 and drilled to PN 10, PN 6 drilling is available on request.



## Technical data

### PN 25

DN		1000	1200
D	[mm]	1320	1530
b	[mm]	60	74
k	[mm]	1210	1420
d1	[mm]	500	500
d2	[mm]	57	57
e1	[mm]	681	813
e2 max.	[mm]	1051	1175
e3 max.	[mm]	911	1035
e4 max.	[mm]	250	279
e5 max.	[mm]	575	488
e6 max.	[mm]	260	298
e7	[mm]	781	895
h2 max.	[mm]	766	866
h3	[mm]	665	780
l1	[mm]	550	630
l2	[mm]	600	700
No. of holes		28	32
Weight approx.	[kg]	1685.00	2400.00
Volume approx.	[m <sup>3</sup> ]	1.257	1.916

Valves with pressure rating of PN 6 are generally manufactured according to EN 1092-2 and drilled to PN 10, PN 6 drilling is available on request.



Type of actuator

