

D-LAB Diaphragm Vacuum Pump



1

Page
46

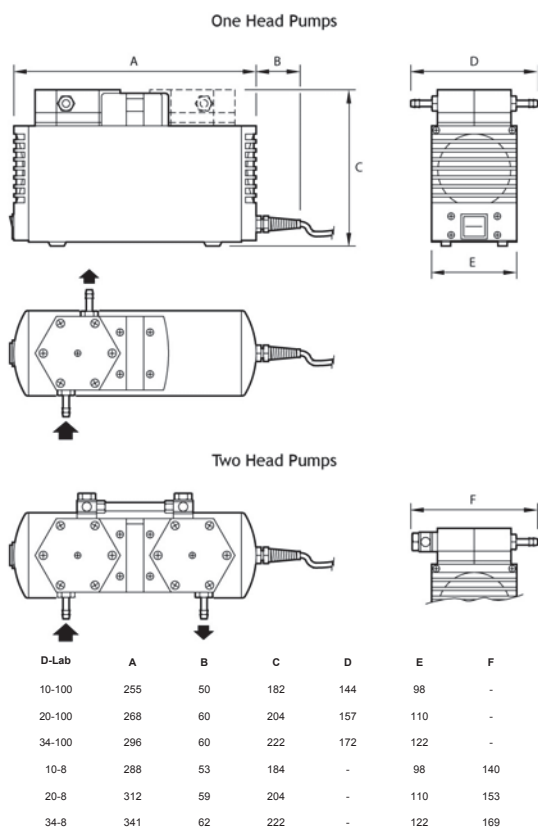


The D-LAB membrane pumps with their chemically resistant Teflon® heads, diaphragms and Kalrez® valves offer the chemical or pharmaceutical laboratory user a wide range of choice, either used as stand-alone pumps or as part of a sophisticated system. The one head, 100 mbar ultimate vacuum pumps are suitable for use with drying equipment or for replacing water-jet pumps, whilst the two head, 8 mbar ultimate vacuum pumps are suitable for rotary evaporation, gas transfer and a wide range of medium vacuum applications. 110V pumps are supplied with USA plug; 220-240V pumps are supplied with an IEC connector but mains cable with correct plug must be ordered separately.

Features & Benefits

- Teflon® heads and diaphragms
- One and two head versions
- 3 Sizes
- Compact, space-saving design
- Low noise

Dimensions



Applications

- Rotary evaporation
- Gel drying
- Vacuum desiccation
- Vacuum filtration
- Vacuum degassing

Technical Data

Pumping speed (air)

10-100, 10-8	0.6 m ³ h ⁻¹ , 10 lmin ⁻¹
20-100, 20-8	1.2 m ³ h ⁻¹ , 20 lmin ⁻¹
34-100, 34-8	2 m ³ h ⁻¹ , 34 lmin ⁻¹

Ultimate vacuum

10-100, 20-100, 34-100	100 mbar 50Hz, 75 mbar 60Hz
10-8, 20-8, 34-8	8 mbar 50Hz, 6 mbar 60Hz

Inlet and outlet connection

Riffled nozzle, suitable for 9 mm i.d. hose

Maximum inlet pressure

1 bar

Motor power and current

10-100, 110V 60Hz	110 W 1.3 A
10-100, 220-240V 50Hz	100 W 0.6 A
20-100, 110V 60Hz	145 W 1.9 A
20-100, 220-240V 50Hz	130 W 0.9 A
34-100, 110V 60Hz	220 W 3.2 A
34-100, 220-240V 50Hz	180 W 1.4 A
10-8, 100V 60Hz	110 W 1.3 A
10-8, 220-240V 50Hz	90 W 0.6 A
20-8, 110V 60Hz	130 W 1.2 A
20-8, 220-240V 50Hz	120 W 0.9 A
34-8, 110V 60Hz	250 W 3.2 A
34-8, 220-240V 50Hz	200 W 1.5 A

Enclosure rating

IP44

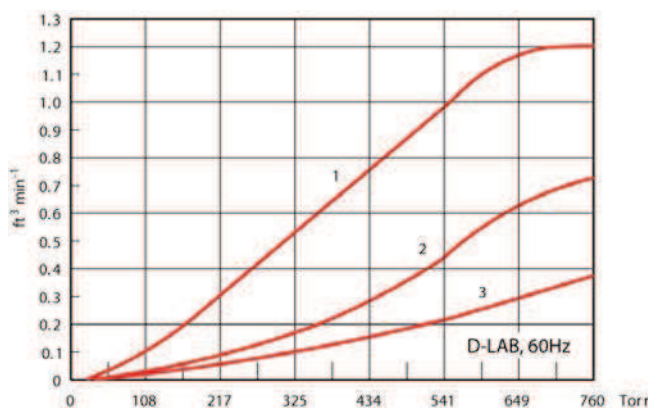
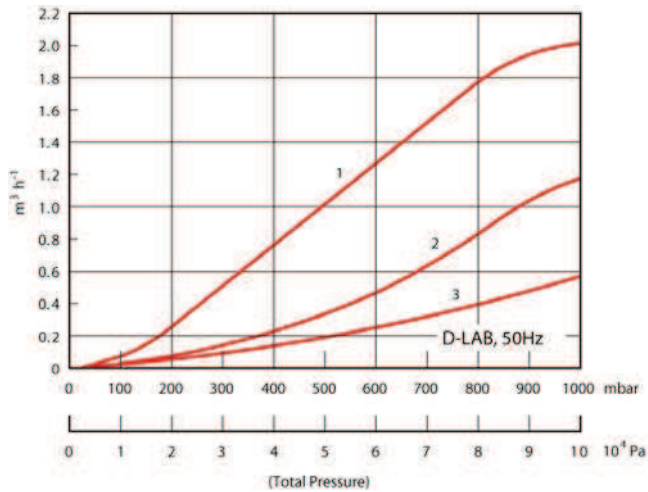
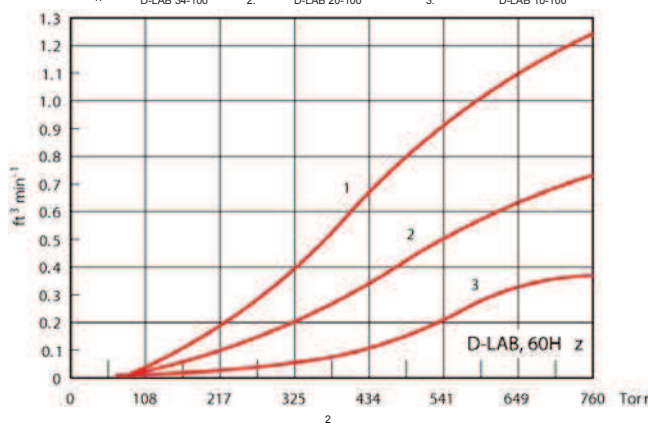
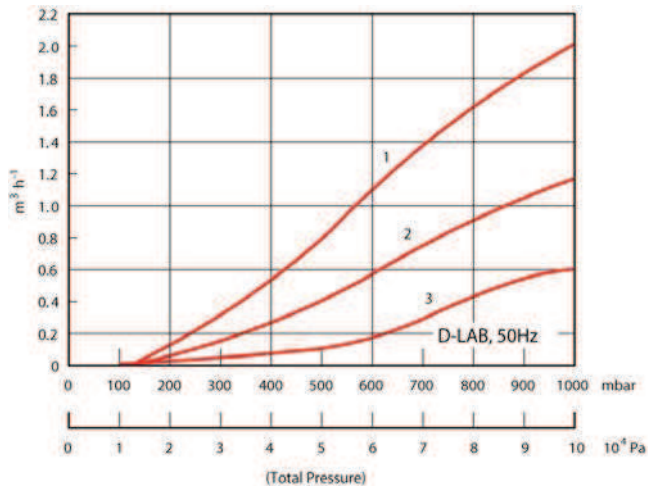
Operating temperature

5 - 40 °C

Weight

10-100	5.8kg / 12.8lbs
20-100	7.1kg / 15.6lbs
34-100	10.3kg / 22.7lbs
10-8	6.9kg / 15.2lbs
20-8	9.3kg / 20.5lbs
34-8	12.6kg / 27.7lbs

Performance Curves



Ordering Information

Product Description	Order No.
D-LAB 10-100, 110V, 60Hz, 1-ph	A48015941
D-LAB 10-100, 220-240, 50Hz, 1-ph	A48015960
D-LAB 10-8, 110 V 1-phase 60 Hz	A48016941
D-LAB 10-8, 220-240~ 50Hz, 1-ph	A48016960
D-LAB 20-100, 110V 60Hz, 1-ph	A48017941
D-LAB 20-100, 220-240~ 50Hz, 1-ph	A48017960
D-Lab 20-8, 110 V 1-phase 60 Hz	A48018941
D-Lab 20-8, 220-240V 50Hz, 1-ph	A48018960
D-LAB 34-100, diaphragm pump, 110~ 60Hz, 1-ph	A48021941
D-LAB 34-100, 220-240~ 50Hz, 1-ph	A48021960
D-LAB 34-8, diaphragm pump, 110V 60Hz, 1-ph	A48022941
D-LAB 34-8, diaphragm pump, 220-240 V 1-phase 50 Hz	A48022960
Accessories & Spares	Order No.
D-Lab Base Plate 10+20-X	A48015134
D-Lab Separator	A48015136
Condenser For D-Lab Pumps	A48015137
Gas Ballast For D-Lab Pumps 10-100,10-8	A48015135
D-Lab Controller 100/110V	A48015139
Service kit for D-LAB 10-100	A48015815