

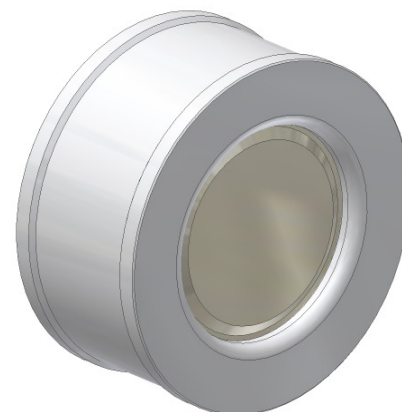


CE 0036



Non Return Valve Type CSD DN125 - 350

Designation	Material
Body	see table
Flange	see table
Disc	see table
Spring	see pricelist
Soft sealing	see table
Centre ring	see page 2/2



Technical specifications

Placement between flange according to DIN EN 1092-1, PN 10

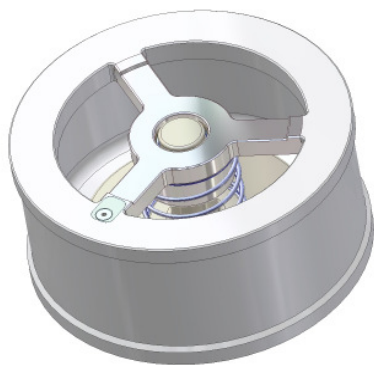
Nominal pressure max. PN40

Operational limits according to DIN EN 1092-1 and AD-Merkblätter W10

Tightness according to DIN EN 12266-1, Leakage Rate D (Sealing M, T) and Leakage Rate A (Sealing E, P, V)

Overall lengths according to DIN EN 558-1, Gr. 49, from DN 250 on DIN EN 558-2, Gr. 52

Identification according to DIN EN 19



Utilisation

For liquids, gases and steams in all process technology.

Constructional features

Centering by the outside diameter of the body or centre ring

Guiding of valve plate by body ribs

Special types

Hastelloy C4 springs (up to 400°C) and Nimonic (up to 500°C).

Special springs for different opening pressures

Placement between flange according to DIN 1092-1, PN 16 – 40 and

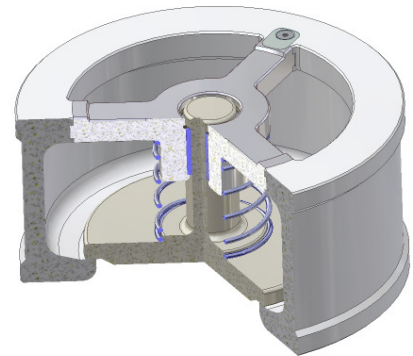
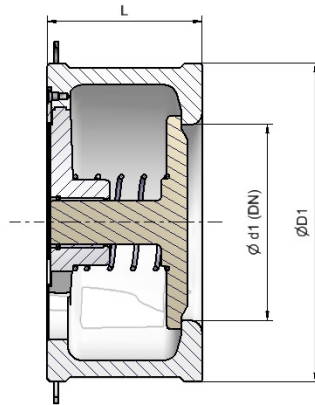
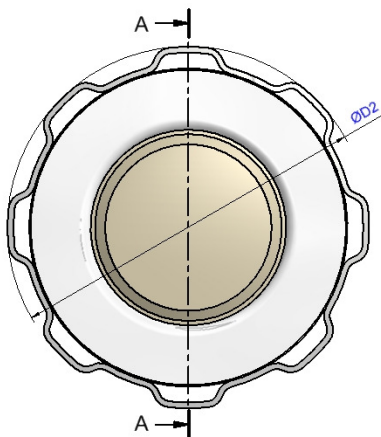
ANSI B 16.5 CL. 150-300 lbs with centre ring according to the following page 2/2

Designation: CSD- 6 4 6 4 - M - 1 5 0
CSD- □□ - □□ - □ - □□□ → **DN125 - 350**

Body			Valve plate			Soft sealing		
Material	Nr.	Code	Material	Nr.	Code	Material	Temperatur	Code
Steel	1.0619	27	Steel	1.0619	27	Metal-seated	-200 bis 500°C	M
Bronce	2.1086	33	Austenit	1.4408	64	EPDM	-50 bis 130°C	E
Austenit	1.4408	64				NBR	-30 bis 120°C	P
						VITON	-20 bis 200°C	V
						PTFE	-200 bis 200°C	T
						Depending on pressure and medium		



CE 0036



DN (mm)	125	150	200	250	300	350
DN (zoll)	5"	6"	8"	10"	12"	14"
Ø D1,PN10	192	218	273	328	378	438
Ø D1,PN16	192	218	273	328	378	444
Ø D1,D2,PN25	192	226	283	338	400	457
Ø D1,D2,PN40	192	226	290	352	417	474
Ø D1,D2,ANSI150	192	218	273	338	400	447
Ø D1,D2,ANSI300	212	247	304	352	417	482
L	90	106	140	200	250	280
Weight (kg)	10	14	24	50	77	108

The pressure rates marked in **blue** are indicating the use of a centre ring. (See extra charges on the price list).
D2 shows the outer diameter of the centre ring.

Opening pressures (mbar)

DN (mm)	125	150	200	250	300	350
DN (zoll)	5"	6"	8"	10"	12"	14"
ΔP ↑	37	40	46	69	73	73
ΔP →	22	25	28	42	44	44
ΔP ↓	7	10	10	15	15	15

Pressure drop diagramm

Pressure drop diagram for water at 20°C with opened valve and horizontal flow.
For calculating the pressure drop of the medium the equivalent water flow volume has to be calculated..

$$\dot{V}_w = \dot{v} \sqrt{\frac{\rho}{1000}}$$

- \dot{V}_w = Equivalent water flow volume in m3/h
- ρ = Density of the medium (in use) kg/m3
- \dot{v} = Flow volume of the medium (in use) in m3/h

